

## NKX10-Z-TV-XL

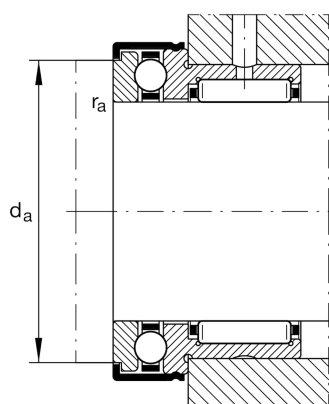
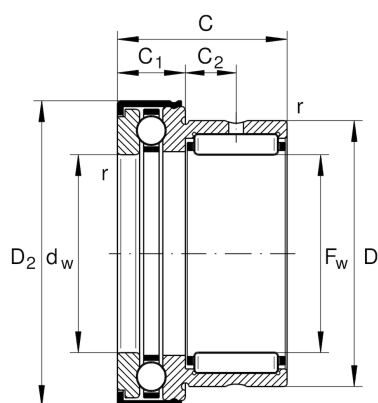
Needle roller/axial ball bearing

Schaeffler ID:  
0506371260000

Needle roller/axial ball bearings NKX...-Z, axial component, single direction, to DIN 5429, with end cap, for grease lubrication

X-life

### Technical information



### Main Dimensions & Performance Data

$F_w$	10 mm	Bore diameter
$D$	19 mm	Outside diameter
$C$	23 mm	Height
$C_r$	7,000 N	Basic dynamic load rating, radial
$C_{0r}$	7,800 N	Basic static load rating, radial
$C_a$	10,000 N	Basic dynamic load rating, axial
$C_{0a}$	14,000 N	Basic static load rating, axial
$C_{ur}$	1,330 N	Fatigue load limit, radial
$C_{ua}$	690 N	Fatigue load limit, axial
$n_G$	12,400 1/min	Limiting speed
	39 g	Weight

### Dimensions

$D_{1 \max}$	25.2 mm	Maximum outside diameter flange
	IR7X10X16-XL	Suitable inner rings IR
$D_{2 \max}$	25.2 mm	Maximum outside diameter flange
$C_1$	9 mm	Width of the axial bearing component
$C_1$	6.5 mm	Distance to lubrication hole
$C_2$	6.5 mm	Distance to lubrication hole
$d_w$	10 mm	Bore diameter of shaft washer
$r_{\min}$	0.3 mm	Minimum chamfer dimension

### Mounting dimensions

$d_a$	19.7 mm	Mounting dimension shaft shoulder
$r_{a \max}$	0.3 mm	Maximum recess radius

### Temperature range

$T_{\min}$	-30 °C	Operating temperature min.
$T_{\max}$	120 °C	Operating temperature max.